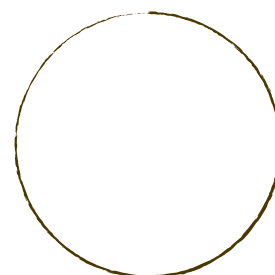
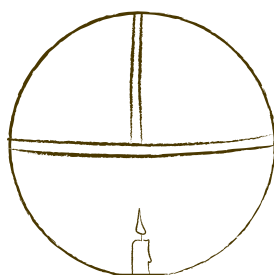
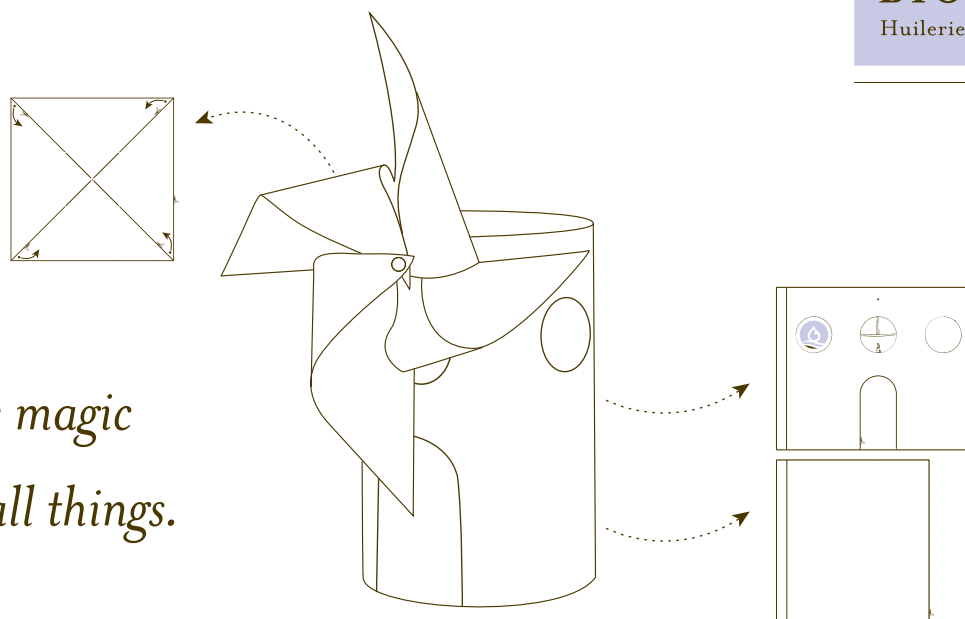




**BIO PLANETE**

Huilerie Moog fondée en 1984

*The magic  
of small things.*





**It doesn't take much to make this lantern in the shape of a windmill.**

1 empty can of BIO PLANÈTE "Kids' Champion" or "Breakfast Champion"

3 A4 sheets of art card in a color of your choice

1 LED tea light or a tea light candle on a little fireproof base

about 10 cm of craft wire and 2 beads

1 sharp pair of paper scissors and 1 thick sewing needle

colored pencils, paints and other decorating materials

Print out the craft pattern onto the card. Decorate all the areas which are to be cut out according to taste, then cut along the outer dotted lines. Remove the lid and bottom of the can. Take the cut-outs from the first and second sheet and glue them onto the can. Now use the paper scissors to cut as many windows and holes in the can as you like. Fix the base in place.





To make the mill's sails, take the third sheet and cut along the outside edge, and from the corners to the unbroken line. Use the needle to make holes at the spots marked with black dots. Thread a bead into the middle of the wire, put the two ends of the wire together and twist them until the bead is tightly in place. Fold all the corners of the card into the center. When all the little holes are directly above the hole in the middle, poke the wire through from above until the bead is holding together the corners at the center. Thread another bead onto the wire. Now use the needle to make a hole in the can at the spot where you want to attach the mill's sails. Poke the wire through the hole and twist it inside the can until the mill's sails are firmly in place.

Now place the LED tea light or candle with its fireproof base inside your windmill.

Voilà!

Note: never place the tea lights on easily flammable materials. Never leave burning candles unattended.

